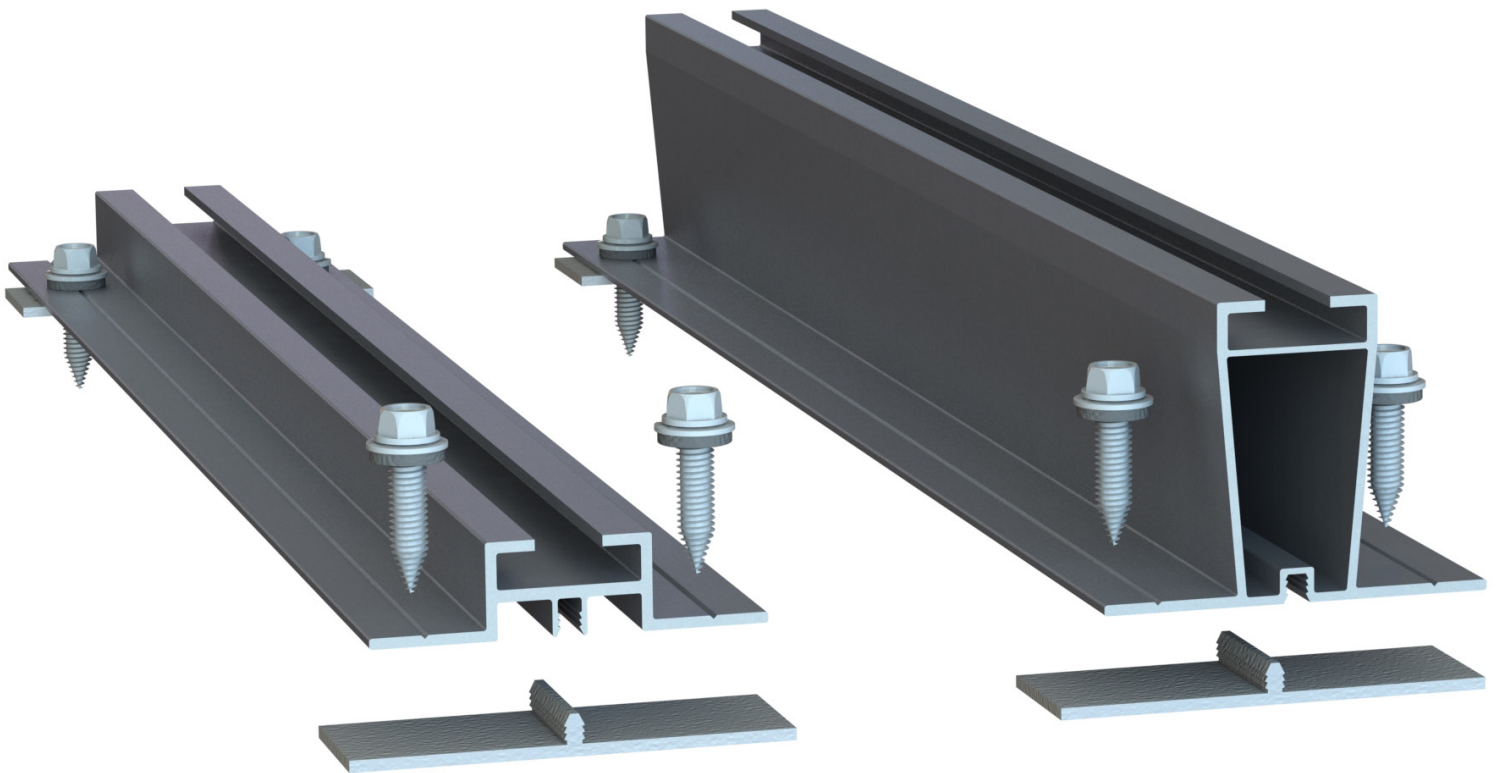




MOUNTING **RAIL DIRECT**



R3 Bourton Industrial Park, Bourton on the Water, Glos, GL54 2HQ, UK

Tel: +44 1451 824 312

Email: info@sunfixings.co.uk

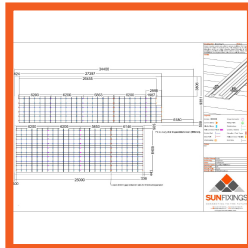
WWW.SUNFIXINGS.CO.UK

V032022

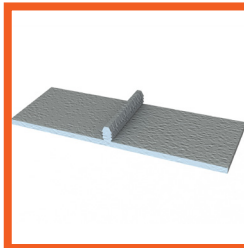
2

Applying the EPDM Pads

Tools & Items Required



Layout

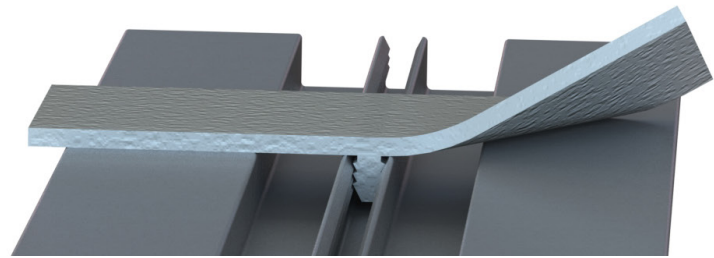
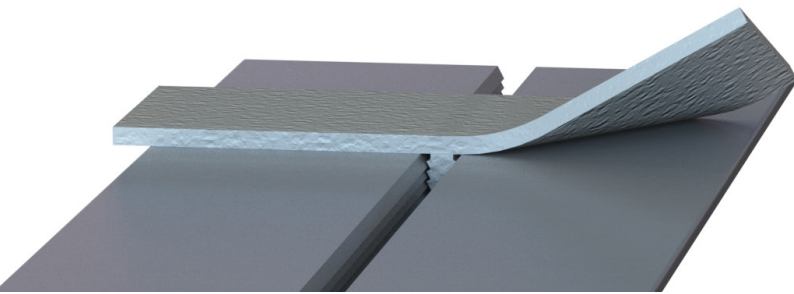


Silicone Pad

Use the layout to confirm the position of fixings.

Clean and dry the trapezoidal crowns so that they are free of any dirt or grease.

Insert the silicone pad to underside of rail.



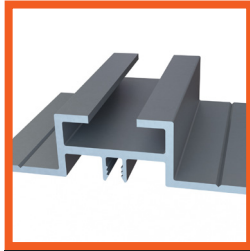
Position pads to align with crowns



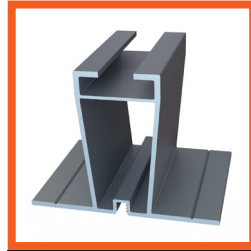
3

Position the Mounting Rail

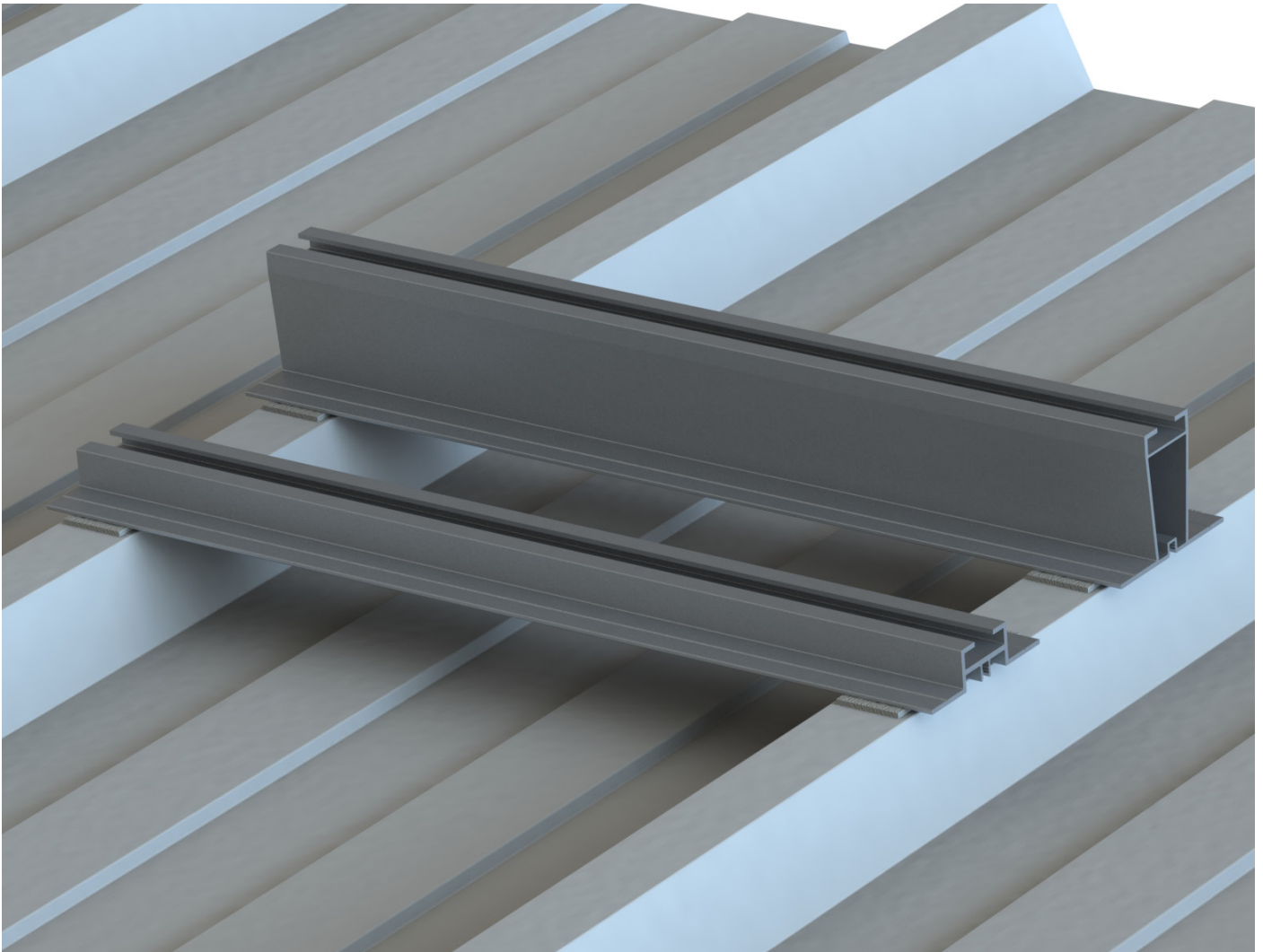
Tools & Items Required



Mounting Rail



Mounting Rail
S



4

Fixing the Self Drilling Screws

Tools & Items Required



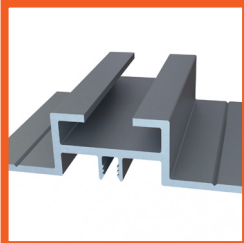
8mm Hex
Socket Driver



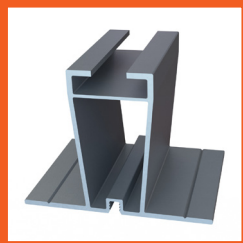
Battery Drill
(NOT impactor)



Self Drilling
Screw



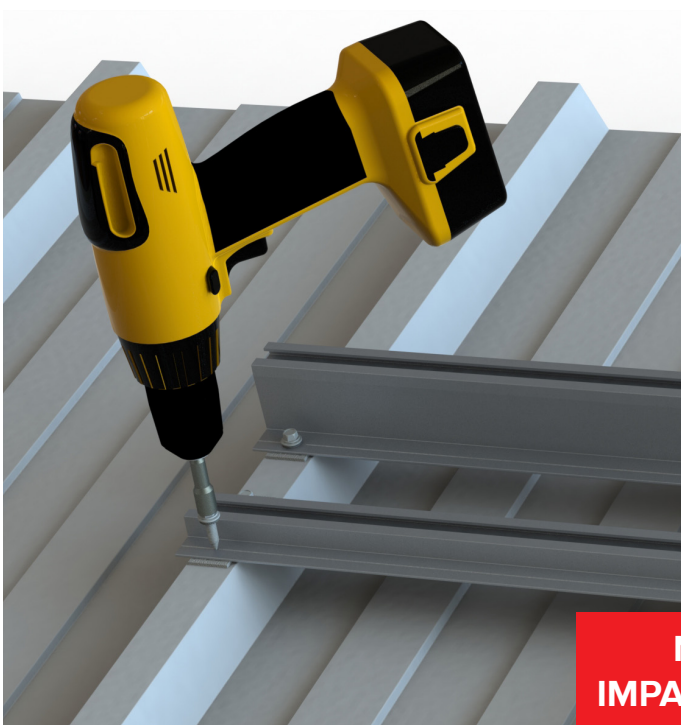
Mounting Rail



Mounting Rail
S

2x Self Drilling Screws = 1 fixing point on the layout.

DO NOT overtighten or squash the washer.



NO
IMPACTORS

